

## Data Sheet

**Customer:**

**Product:** TO-220 Power Resistor – TR50-RF Series

**Sizes.:** 50W

**Issued Date:** 06-Sep-23

**Edition:** REV.A1



VIKING TECH CORPORATION  
光頡科技股份有限公司  
No.70, Guangfu N. Rd., Hukou  
Township, Hsinchu County  
303, Taiwan (R.O.C)

TEL:886-3-5972931  
FAX:886-3-5972935•886-3-5973494  
E-mail:sales@viking.com.tw

VIKING TECH CORPORATION KAOHSIUNG BRANCH  
光頡科技股份有限公司高雄分公司  
No.248-3, Sin-Sheng Rd., Cian-Jhen Dist., Kaohsiung,  
806, Taiwan

TEL:886-7-8217999  
FAX:886-7-8228229  
E-mail:sales@viking.com.tw

VIKING ELECTRONICS (WUXI) CO., LTD.  
光頡電子(無錫)有限公司  
No.22 Xixia Road, Machinery & Industry Park,  
National Hi-Tech Industrial Development Zone  
of Wuxi, Wuxi, Jiangsu Province, China  
Zip Code:214028  
TEL:86-510-85203339  
FAX:86-510-85203667•86-510-85203977  
E-mail:china@viking.com.tw

Produced by (QC)	Checked (QC)	Approved by (QC)	Prepared by (Sales)	Accepted by (Customer)
06-Sep-23	06-Sep-23	06-Sep-23	06-Sep-23	
<i>Kris Chen</i>	<i>Ben Chang</i>	<i>Ben Chang</i>		

## TO-220 Power Resistor



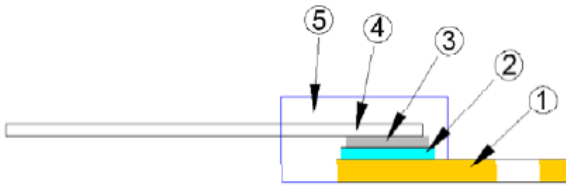
### ■ Features

- 50 watts at 25°C case temperature heat sink mounted
- TO-220 style power package
- Single screw mounting to heat sink
- Molded case for protection and easy to mount
- Electrically isolated case
- Non-Inductive design

### ■ Applications

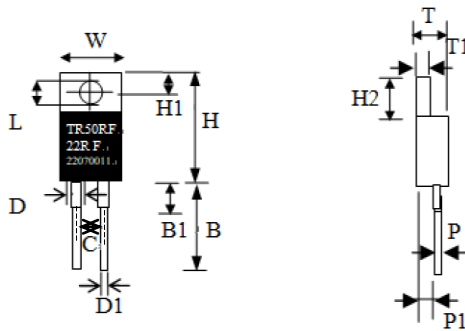
- Switching Power Supplies
- Snubbers Circuits
- Automated Machine Controller
- RF Power Amplifiers
- Low Energy Pulse Loading
- UPS
- Voltage Regulation

### ■ Construction



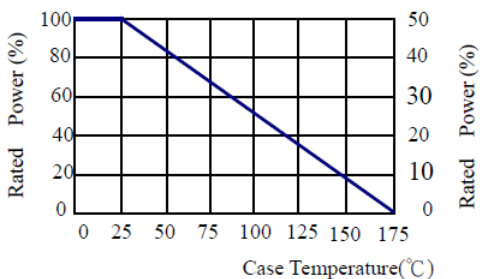
① Radiator Fin	④ Copper Lead
② Alumina Substrate	⑤ Molding
③ Resistor Layer	

### ■ Dimensions



Type	W (mm)	H (mm)	H1 (mm)	B (mm)	B1 (mm)	D (mm)	D1 (mm)	L (mm)	C (mm)	T (mm)	T1 (mm)	H2 (mm)	P (mm)	P1 (mm)	Packing Tube
TR50-RF	10.16 ±0.3	15.00 ±0.5	2.9 ±0.25	13.5 ±0.8	4 max	1.27 ±0.1	0.78 ±0.08	3.85± 0.3	5.08 ±0.25	4.6 ±0.2	1.2 ±0.1	6.25 ±0.35	0.60 ±0.15	2.3 ±0.25	50pcs

### ■ Derating Curve



Derating Curve Slope: 0.333W/°K

(thermal resistance) : 3.00°K/W

**TO-220 Power Resistor**

**Part Numbering**

TR	50	J	D	D	1001	-RF
Product Type	Power	Resistance Tolerance	Packaging Code	TCR (PPM/°C)	Resistance	Code
	50: 50 Watts	D: ±0.5% F: ±1% J: ±5%	D: Tube	D: ±50 E: ±100 F: ±200 G: ±300 -: No Specified	R100: 0.1Ω 0100: 10Ω 4700: 470Ω 1001: 1000Ω 1002: 10000Ω	RF: Radiator Fin

**Electrical Characteristics Specifications**

Item Type	Resistance Range				TCR (PPM/°C)
	±0.5%	±1%	±5%	±10%	
TR50-RF	-	-	0.05Ω - 1Ω		No Specified
			≥ 0.1Ω - 1Ω		No Specified
	-		≥ 1Ω - 5Ω		±100 ±200 ±300
			≥ 5Ω - 10Ω		±100 ±200 ±300
			≥ 10Ω - 100KΩ		±50 ±100 ±200

- Operating Voltage: 350V max.
- Dielectric Strength: 1800VAC
- Insulation Resistance: 10GΩ min.
- Working Temperature Range: -55°C to +175°C

**Environmental Characteristics**

Item	Requirement	Test Method
Temperature Coefficient of Resistance (T.C.R.)	As Spec.	Referenced to 25°C, ΔR taken at +105°C
Short Time Overload	ΔR±0.3%	2 times rated power with applied voltage not to exceed 1.5 times maximum continuous operating voltage for 5 seconds
Load Life	ΔR±1.0%	2,000 hours at rated power
Damp Heat with Load	ΔR±0.5%	40±2°C, 90~95% R.H., RCWV for 1000 hrs with 1.5 hrs "ON" and 0.5 hrs "OFF"
Solderability	90% min. coverage	245±5°C for 3 seconds
Thermal Shock	ΔR±0.3%	-65°C~150°C, 100 cycles
Terminal Strength	ΔR±0.2%	(Pull Test) 2.4N
Vibration, High Frequency	ΔR±0.2%	20g peak

- Lead Material: Tinned Copper
- Maximum Torque: 0.9 N-m
- Without a Heat Sink, when in Free Air at 25°C, the TR50-RF is Rated for 2.5W
- The Case Temperature is to be used for the Definition of the Applied Power Limit
- The Case Temperature Measurement must be made with a Thermocouple Contacting the Center of the Component mounted on the Designed Heat Sink.
- Thermal Grease should be Applied Properly